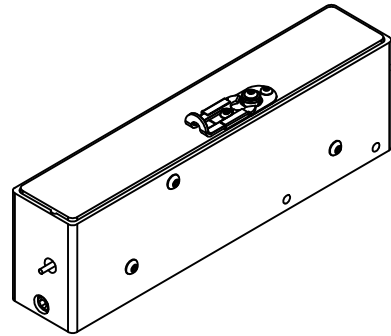


MATERIAL REQ'D.

R.C.

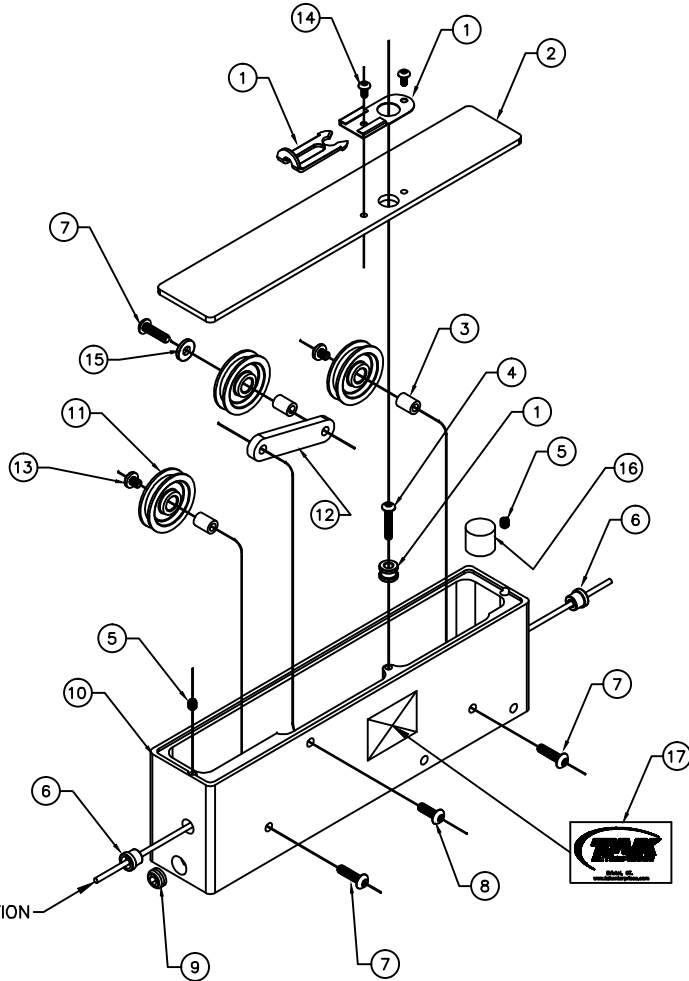


No.	P/N #	Description	EA.
1	9010-035	SLIDE LATCH ASSY.	1
2	7100-129	COVER	1
3	9802-011	BUSHING	3
4	9002-033	6-32 BHCS	1
5	9003-407	NYLON SET SCREW	2
6	9800-005	CERAMIC GUIDE	2
7	9002-050	8-32 X 5/8 BHCS	3
8	9002-049	8-32 X 1/2 BHCS	1
9	9405-013	1/8 NPT BRASS PLUG	1
10	7100-125	HOUSING	1
11	9802-005	ROLLERS	3
12	7100-130	SWING ARM	1
13	900-B-001	8-32 X 3/16 PAN HEAD	2
14	9002-025	5-40 BHCS	2
15	9008-306	8-32 WASHER	1
16	XXX	SPONGE WIPER PLUG	1
17	9805-002	NAMEPLATE	1

NOTE:
USE BLUE THREAD LOCK
ON INSIDE SCREWS TO
INSURE TIGHTNESS.

REFERENCE PART NUMBERS FOR TAK WCL DEDICATED MOUNTING BRACKETS;

#01 PWS HORIZONTAL ENTRY DEDICATED MOUNTING BRACKET; #7100-127
#02 PWS HORIZONTAL ENTRY DEDICATED MOUNTING BRACKET; #7100-128
#02 SF&C DEDICATED MOUNTING BRACKET; #7100-134



ENTRY DIRECTION

REV	ECN	CHG BY	DATE



TOLERANCE UNLESS OTHERWISE STATED	
Δ ± 3'	FRACT +/- 1/16
\perp ± 0.0003	.X ± .032
\odot ± 0.0002	.XX ± .015
\oplus ± 0.0005	.XXX ± .005
\equiv ± 0.0005	.XXXX ± .0005

CAD	DWN KPL
CHK	SCALE
DATE 7/5/02	

DRAWING / PART NO. 7100-001
PART NAME WIRE LUBRICATOR AND CLEANER
CUSTOMER