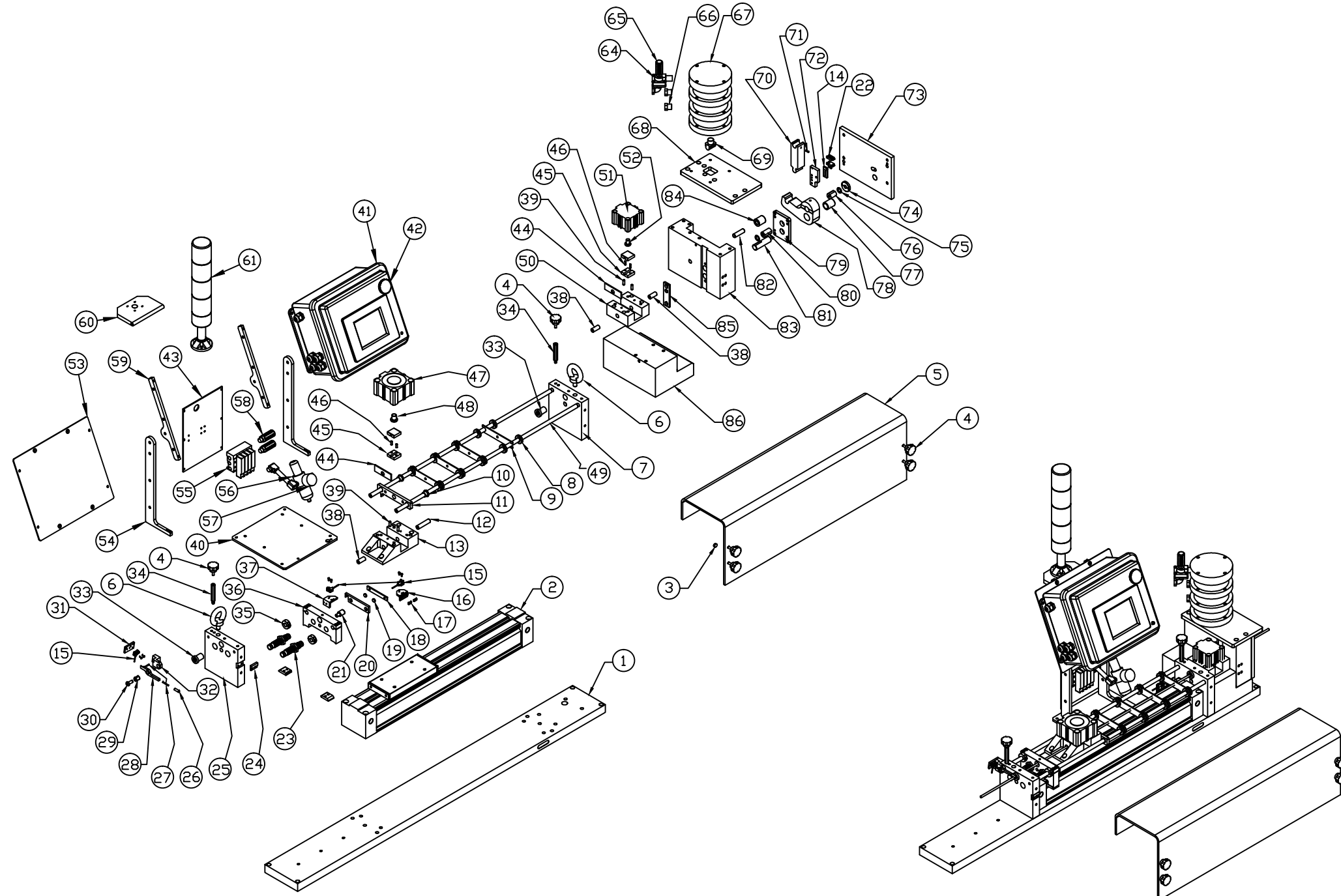


NOTES: #3 UNIBODY - #4 UNIBODY - #4 QUICK RELEASE

- #3 PWS 2-PLANE ASSY, REF 1003-002 & BRKT 4004-126
- #3 PWS 4-PLANE ASSY, REF 1003-004 & BRKT 4004-171
- #4 PWS 2-PLANE ASSY, REF 1004-012 & BRKT 4004-158
- #4 PWS 2-PLANE QR ASSY, REF 1004-002 & BRKT 4004-146
- #5 PWS 2-PLANE ASSY, REF 1005-012 & BRKT 4004-172
- #5 PWS 2-PLANE QR ASSY, REF 1005-002 & BRKT 4004-150



No.	PART NUMBER	QTY
1	4004-458	1
2	9400-406	1
3	9100-013	1
4	9010-011	6
5	4100-107	6
6	9010-020	2
7	4004-101	1
8	9008-013	16
9	4004-9XX	4
10	9311-001	2
11	4004-167	1
12	4004-58XX	1
13	4004-102	1
14	4004-194	8
15	9100-044	3
16	4004-165	1
17	4004-166	2
18	4004-123	1
19	4004-124	2
20	4004-168	1
21	9011-020	1
22	9100-058/059	2
23	9401-001	2
24	9100-013	1
25	4004-100	1
26	9802-007	1
27	9007-024	2
28	4004-169	1
29	4000-090	1
30	9002-118	1
31	4000-088	1
32	4004-170	1
33	9800-008	2
34	9011-015	2
35	9011-008	2
36	4004-104	1
37	4004-164	1
38	4004-5XX	3
39	9007-041	4
40	4000-093	1
41	4000-001	1
42	9100-108	1
43	4000-094	1
44	4004-113	2
45	4004-6XX	2
46	9020-022	4
47	9400-528	1
48	4000-077	1
49	4001-535	2
50	4004-103	1
51	9400-512	1
52	4000-076	1
53	4000-057	1
54	4000-096	2
55	9403-024	1
56	9402-008	1
57	9402-006	1
58	9405-010	2
59	4000-095	2
60	4000-083	1
61	9103-008	1
62		
63		
64	9402-009	3
65	9405-011	1
66	9404-038	2
67	9400-531	1
68	4004-136	1
69	4010-205	1
70	4004-134	1
71	9007-020	1
72	4004-193	1
73	4004-131	1
74	4004-135	1
75	9008-002	2
76	4004-8XX	1
77	9311-006	1
78	4004-160	1
79	4004-163	1
80	4004-7XX	1
81	4004-137	1
82	9007-085	1
83	4004-159	1
84	4004-173	1
85	4004-132	1
86	4004-129	1
87	9020-028	10
88		

4H SF&C QUILL ON QUILL 12" ASSY & PARTS LIST



TOLERANCE UNLESS OTHERWISE STATED	CAD	DRAWING / PART NO.
± 3"	DWN GDH	4004-062
± 0.0003	CHK	PART NAME
± 0.0002	SCALE	12" SF&C #4H ASSY.
± 0.0005	DATE 12/20/05	CUSTOMER
± 0.0005		EXPLODED VIEW

REV	ECN	CHG BY	DATE