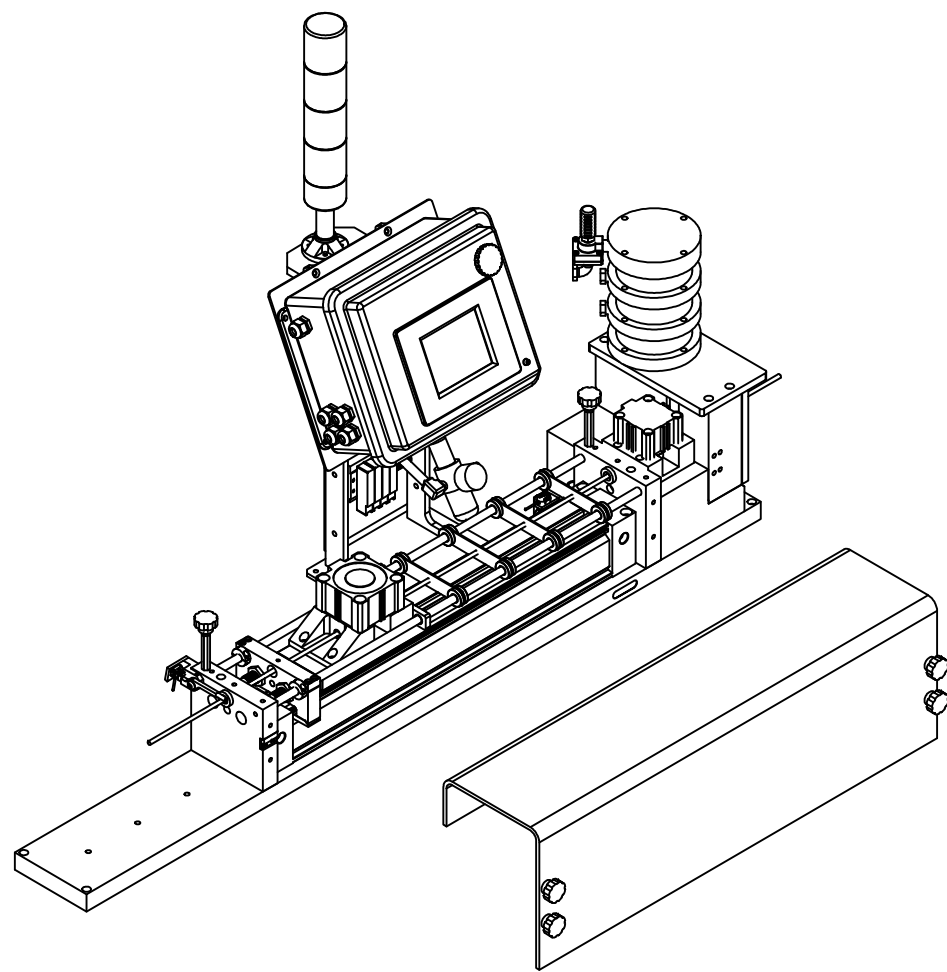
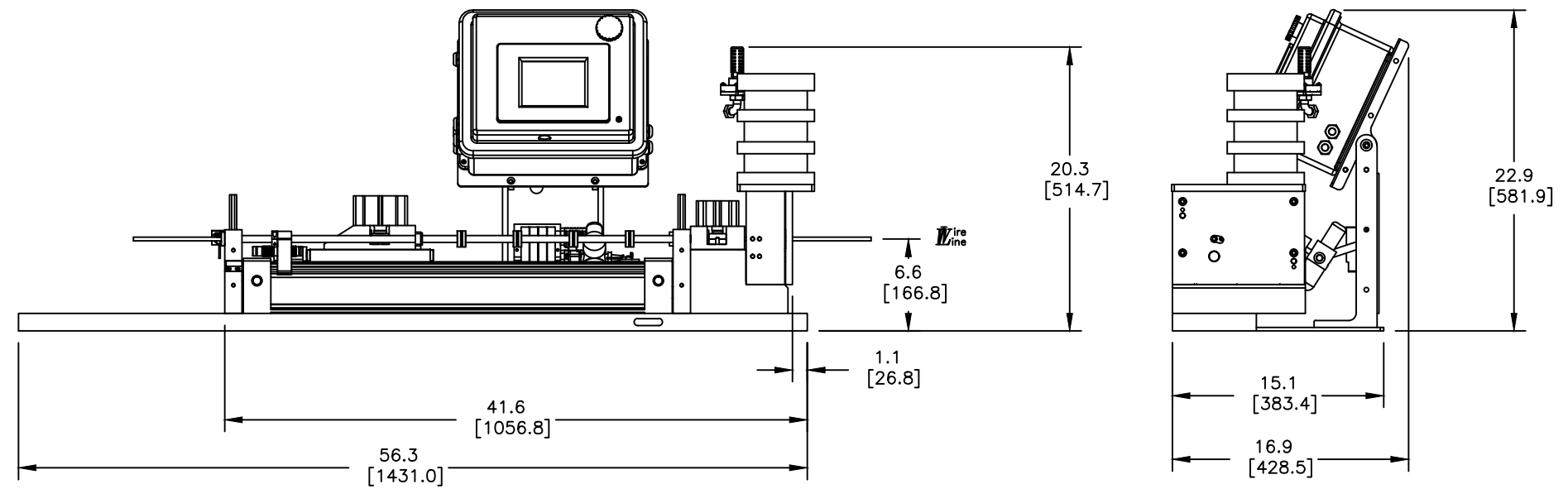
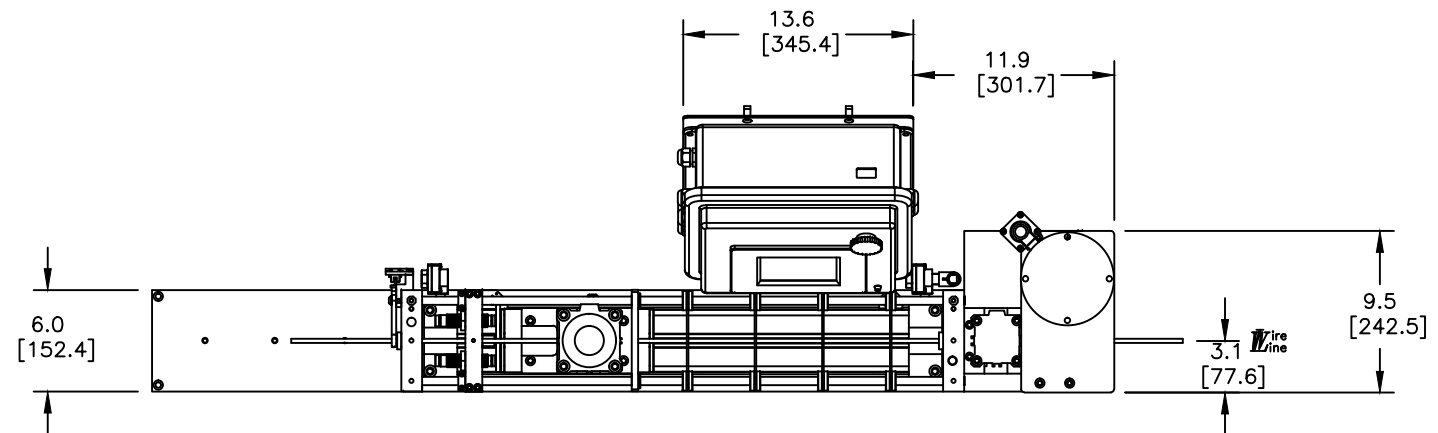
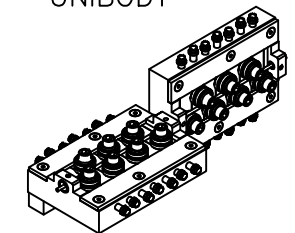
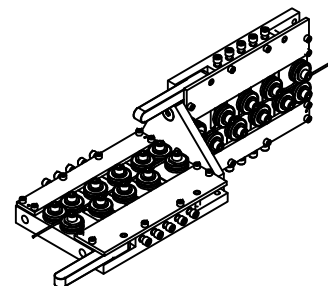


DIM'S ARE APPROXIMATE
 DIM'S IN (X.X) ARE IN MM



SERIES #04 OR #05
 QUICK RELEASE

SERIES #04 OR #05
 UNIBODY



PWS UP TO 2-PLANE ASSY

- SERIES #04 PWS / 4004-146 QR MOUNTING BRKT
- SERIES #04 PWS / 4004-158 UNIBODY MOUNTING BRKT
- SERIES #05 PWS / 4004-150 QR MOUNTING BRKT
- SERIES #05 PWS / 4004-172 UNIBODY MOUNTING BRKT

REV	ECN	CHG BY	DATE



TOLERANCE UNLESS OTHERWISE STATED	FRACT +/- 1/16
± .3	.X ± .032
± 0.0003	.XX ± .015
± 0.0002	.XXX ± .005
± 0.0005	.XXXX ± .0005

CAD	DRAWING / PART NO.
DWN	4004-062-A
CHK	PART NAME
SCALE	SF&C #4H 12" QQ
DATE	CUSTOMER