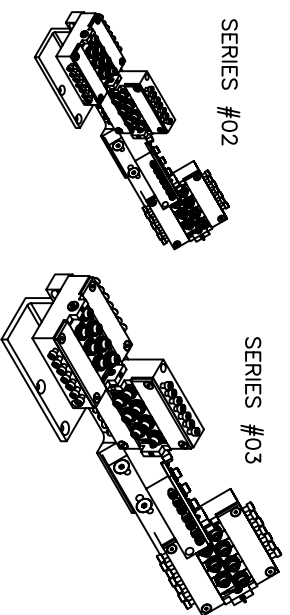
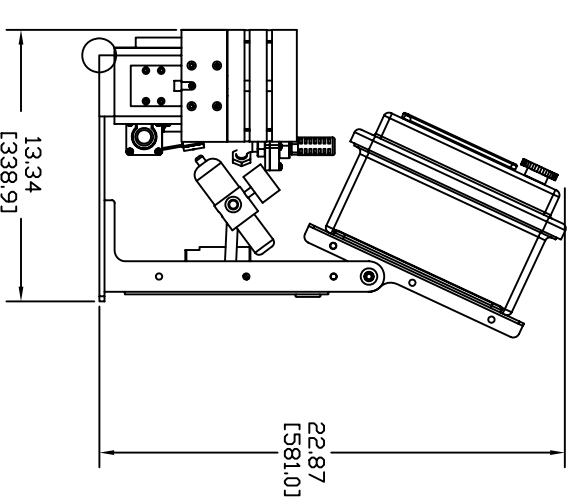
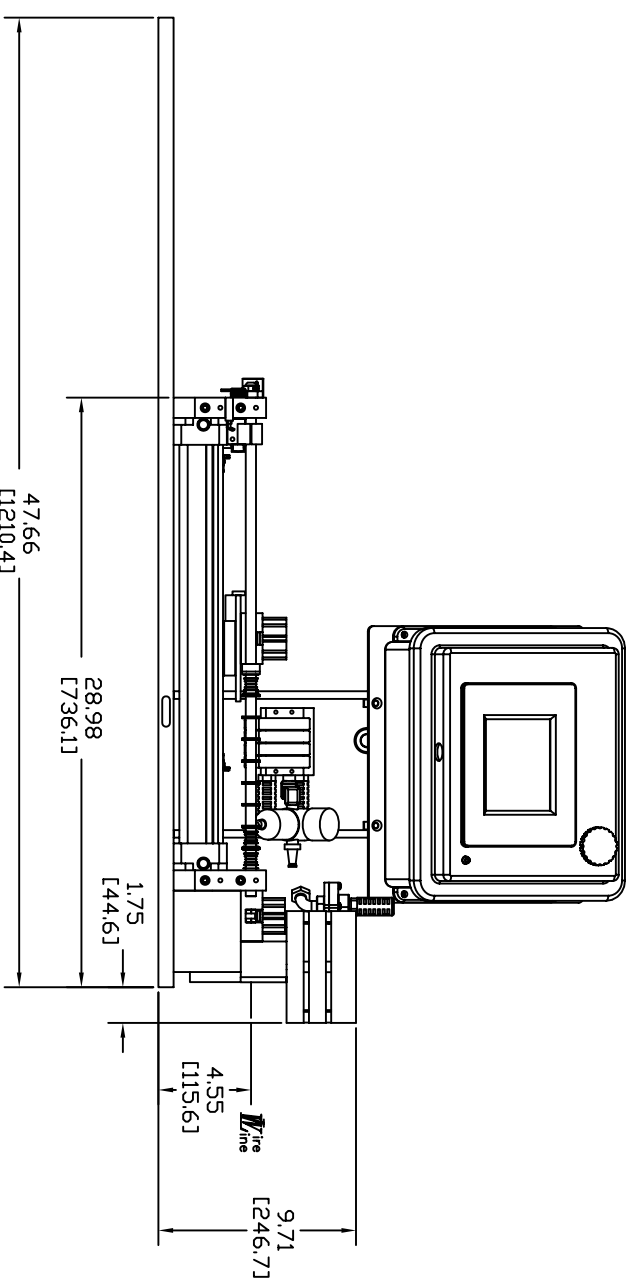
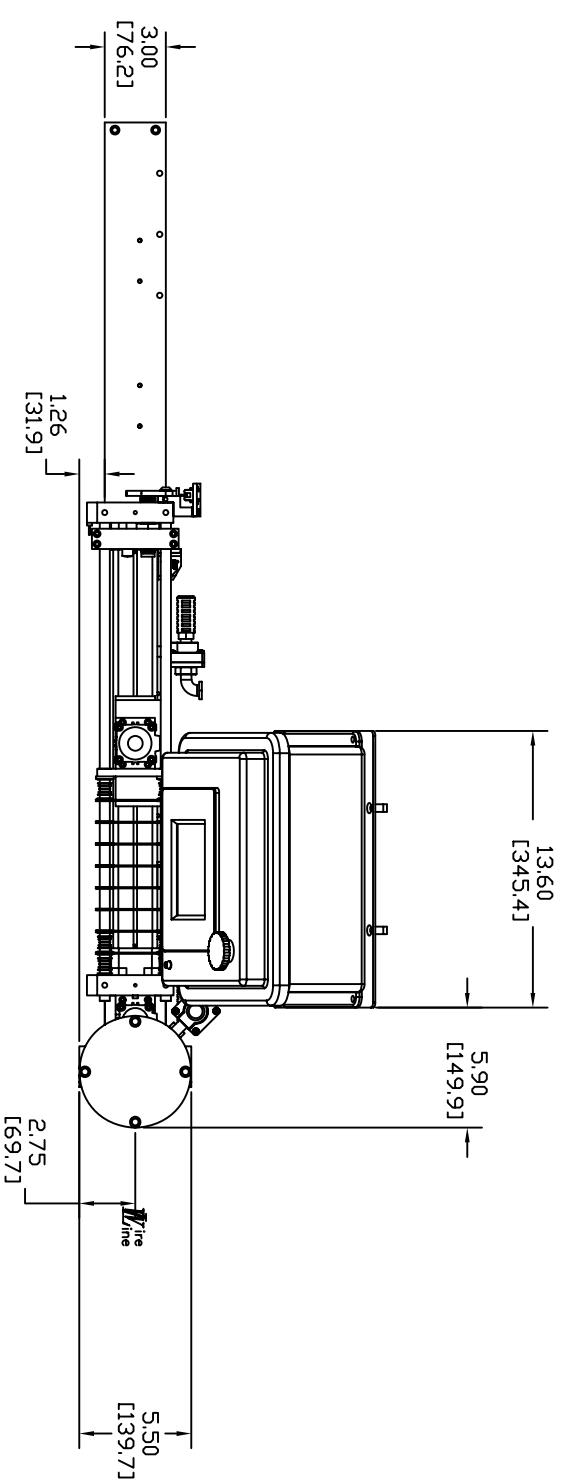
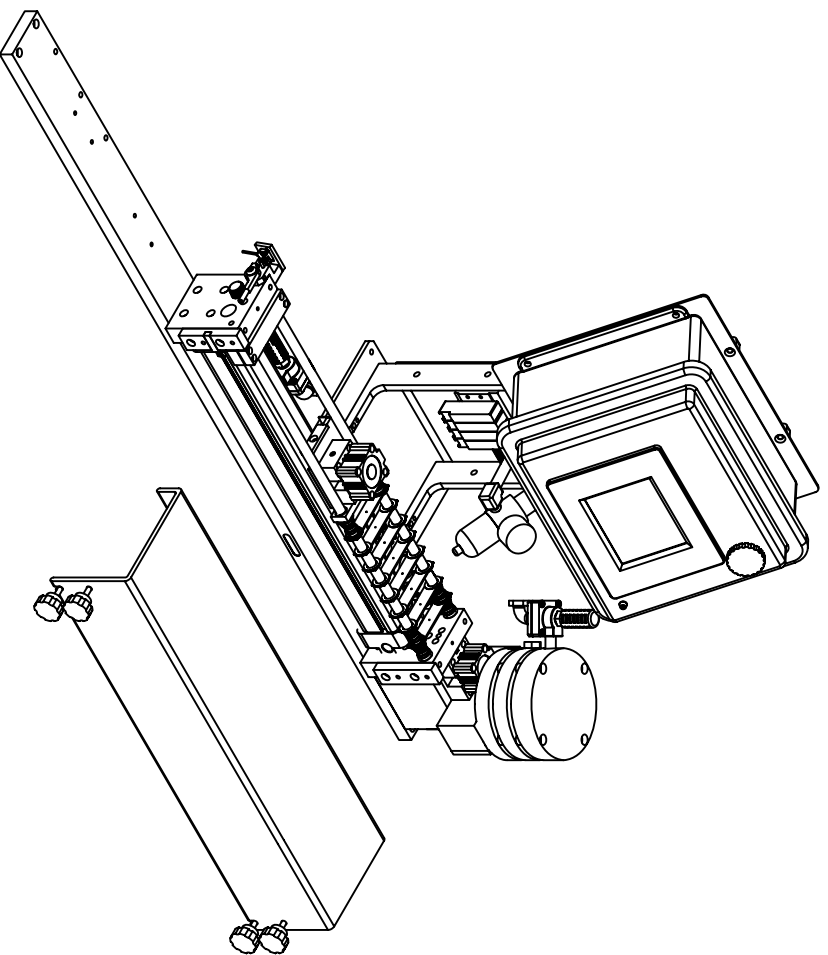


DIM'S ARE APPROXIMATE
DIM'S IN (X.X) ARE IN MM



PWS UP TO 4-PLANE ASSY

SERIES #02 PWS / 4002-409 MOUNTING BRKT
SERIES #03 PWS / 4003-501 MOUNTING BRKT



TOLERANCE UNLESS OTHERWISE SPECIFIED		CAD		DRAWING / PART NO.	
± .3"	FRACT +/- 1/16	DVN	GHI	4003-022-A	
± 0.0003	X	CHK		PART NAME	
± 0.0002	XX	SCALE		SF & C #3 12' Q0	
± 0.0005	XXX	DATE	11/07/05	CUSTOMER	
± 0.0005	XXXX				

REV	ECN	CHG BY	DATE