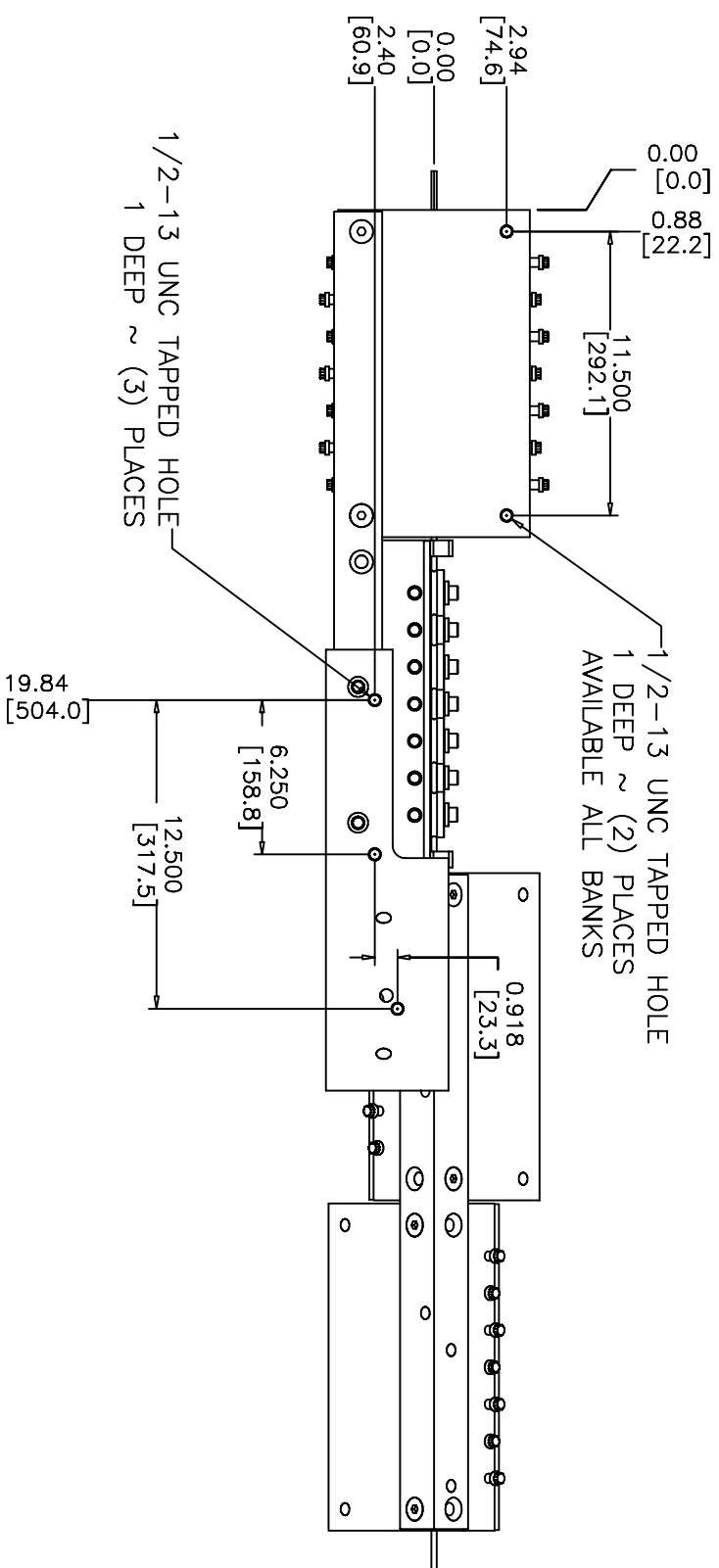
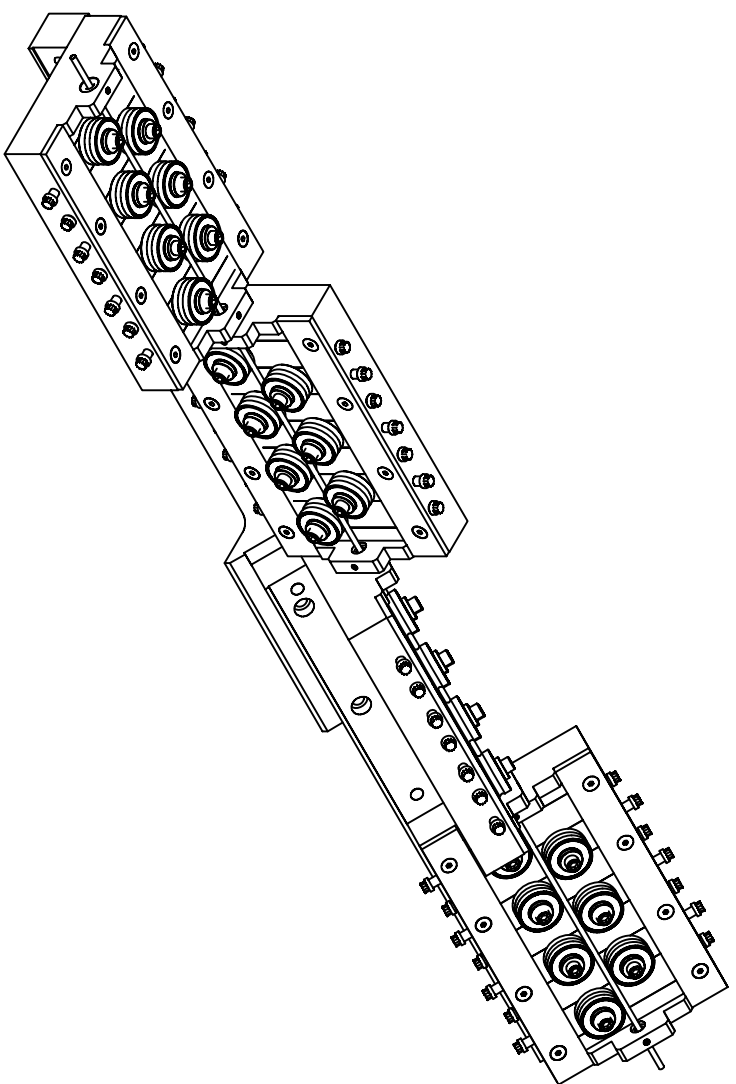
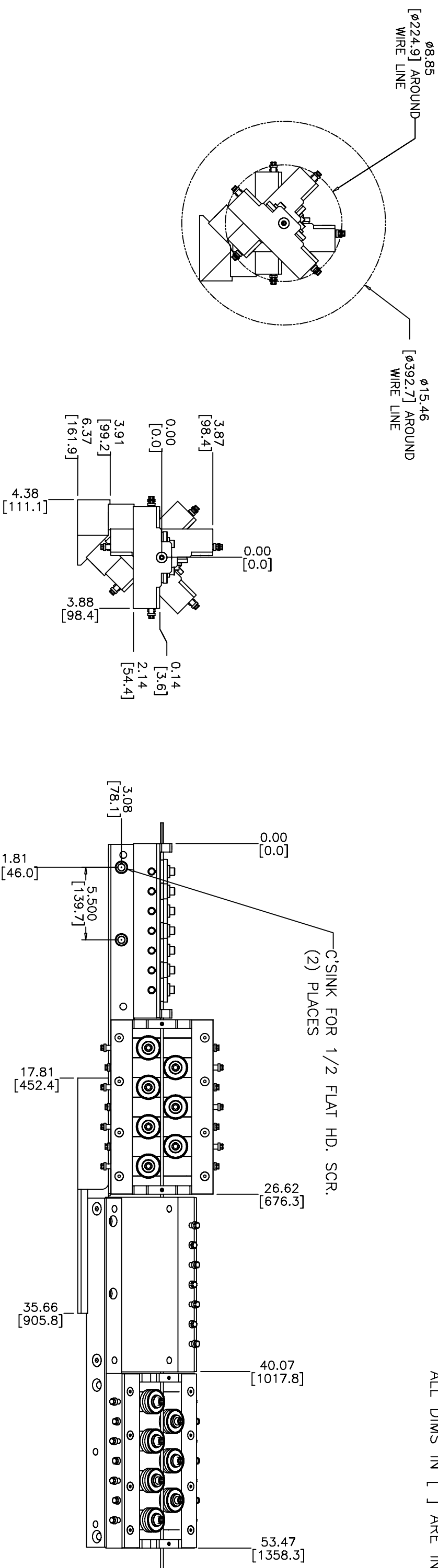


NOTE:
ALL DIMS IN [] ARE IN MM



#05 UNIBODY 4-PLANE
MOUNTING LOCATIONS



TOLERANCE UNLESS OTHERWISE STATED	CAD	DRAWING / PART NO.
$\pm .0005$	DWN KPL	1005-014A
$\pm .0002$	CHK	MOUNTING
$\pm .0005$	SCALE	CUSTOMER
$\pm .0005$	DATE 6/26/01	

REV	ECN	CHG BY	DATE