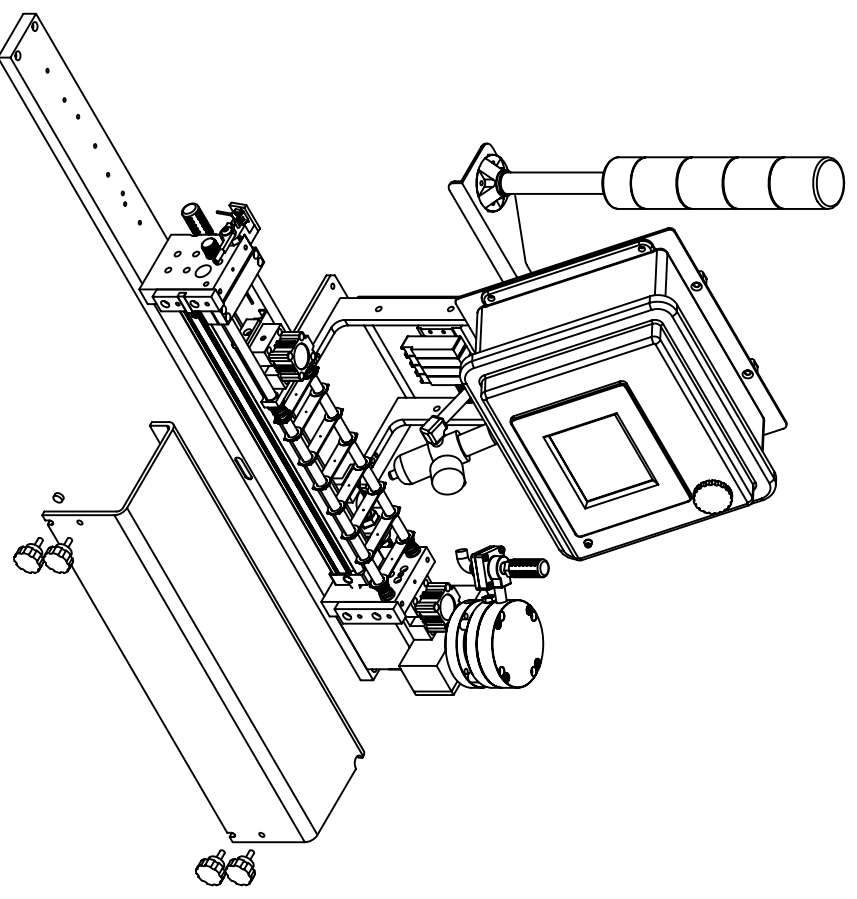
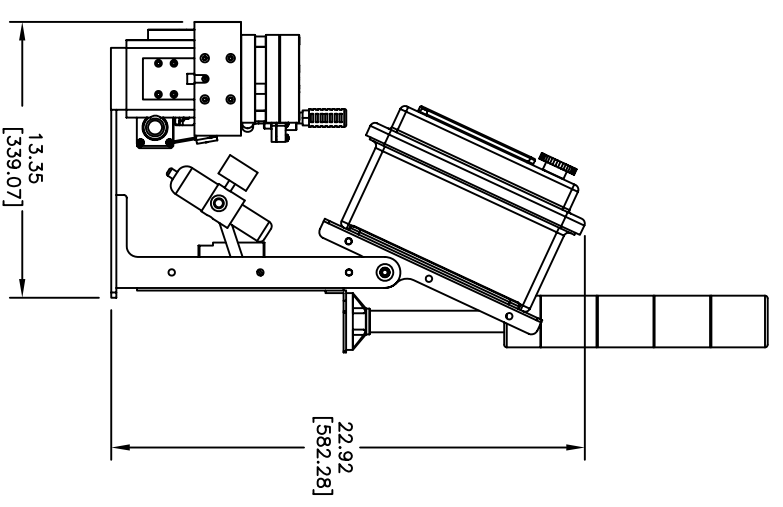
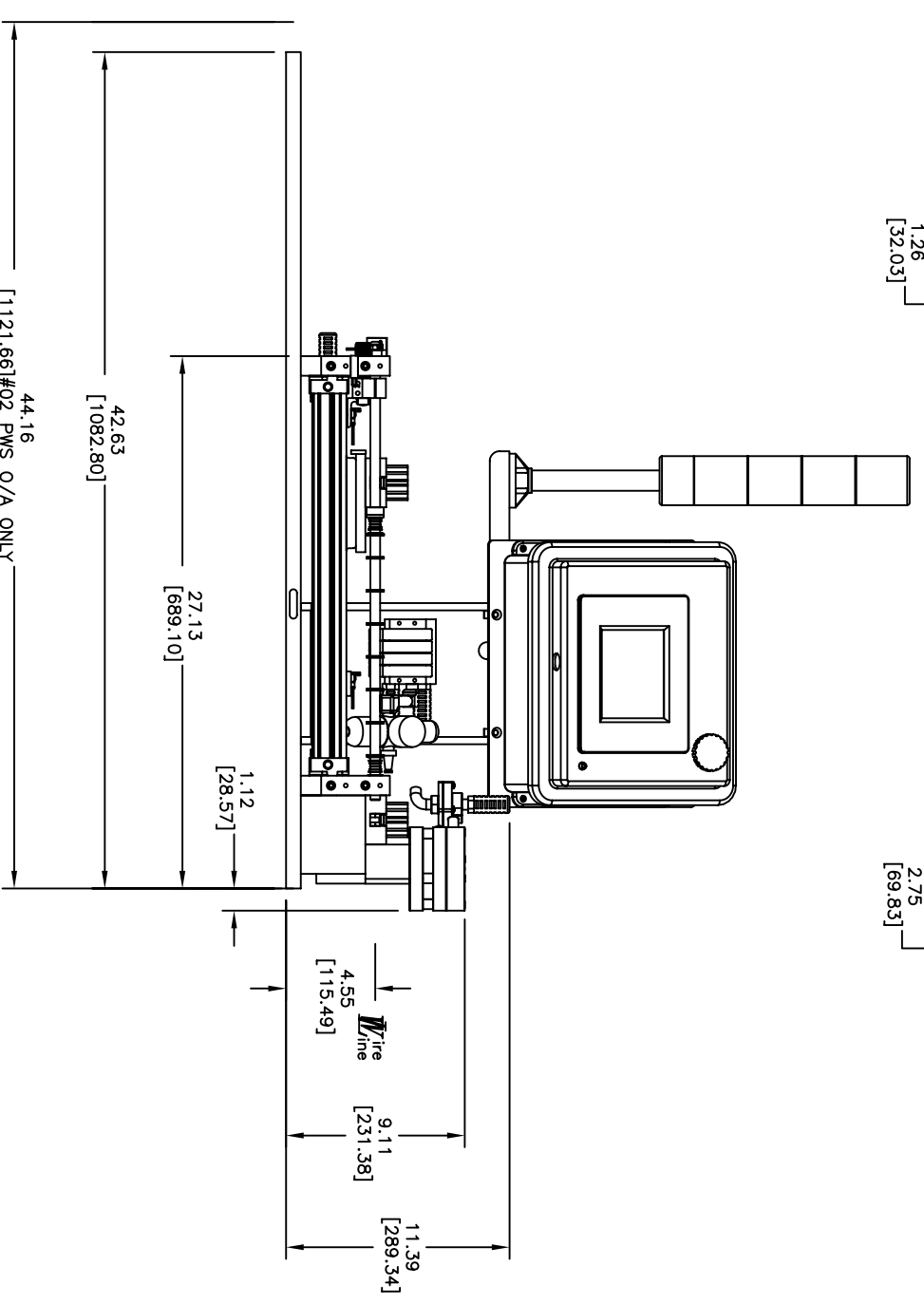
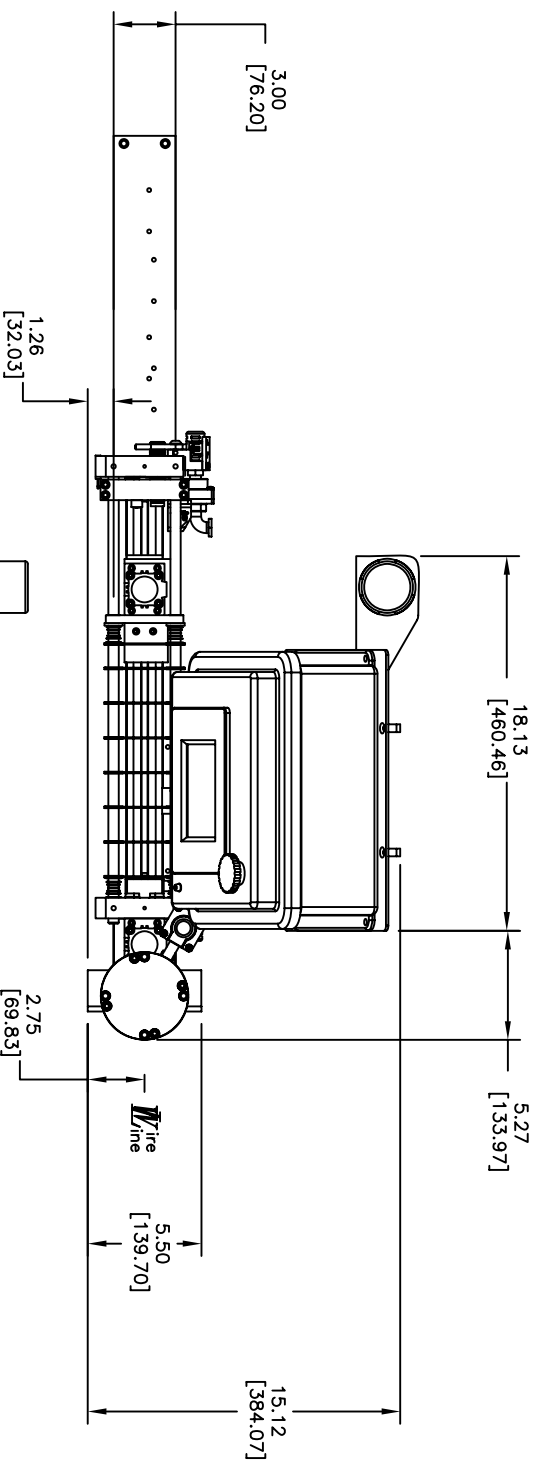


DIM'S ARE APPROXIMATE
 DIM'S IN (X.X) ARE IN MM



- SERIES #00
 - SERIES #0
 - SERIES #01
 - SERIES #02
- PWS UP TO 4-PLANE ASSY
- | | | | |
|------------|-------|----------|----------------|
| SERIES #00 | PWS / | 1000-147 | MOUNTING BRKT. |
| SERIES #0 | PWS / | 4001-038 | MOUNTING BRKT |
| SERIES #01 | PWS / | 4001-039 | MOUNTING BRKT |
| SERIES #02 | PWS / | 4002-409 | MOUNTING BRKT |



| | | | |
|-----------------------------------|----------------|-------|--------------------|
| TOLERANCE UNLESS OTHERWISE STATED | | CAD | DRAWING / PART NO. |
| ± .3 | FRACT +/- 1/16 | DWN | 4002-019E-A |
| ± 0.0003 | X | GDH | PART NAME |
| ± 0.0002 | XX | CHK | SF&C # 2 12" QQ |
| ± 0.0005 | XXX | SCALE | CUSTOMER |
| ± 0.0005 | XXXX | DATE | 093005 |



| | | | |
|-----|-----|--------|------|
| REV | ECN | CHG BY | DATE |
| | | | |