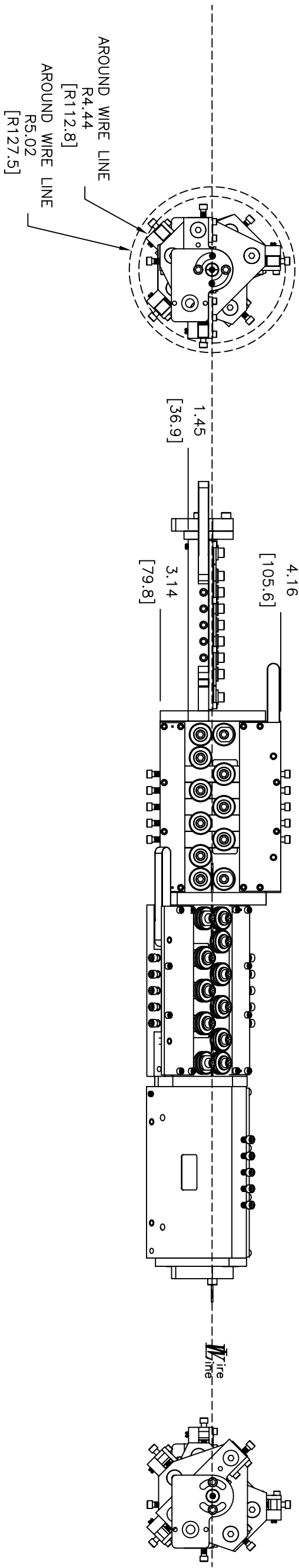
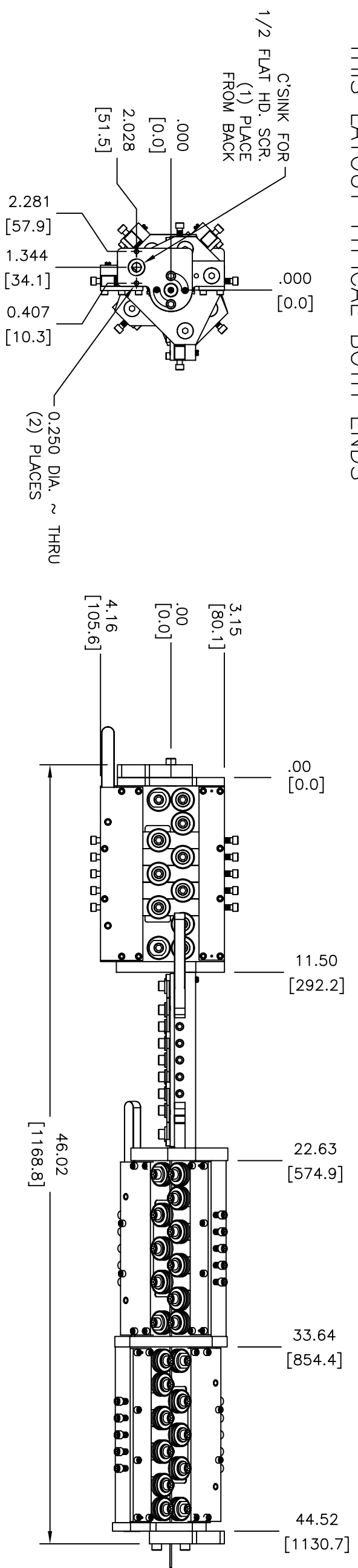


THIS LAYOUT TYPICAL BOTH ENDS



DIMENSIONS ARE RELATIVE TO WIRE LINE

#04 4-PLANE ASSY MOUNTING LOCATION



TOLERANCE UNLESS OTHERWISE STATED		CAD	DRAWING / PART NO.
∠ ± .3	FRACT ± -1/16	DWN TKS	1004-004A
⊙ ± 0.0003	X ± .032	CHK	#04 4-PLANE MOUNTING
⊙ ± 0.0002	XX ± .015	SCALE	CUSTOMER
⊙ ± 0.0005	XXX ± .005	DATE	112197
⊙ ± 0.0005	XXXX ± .0005	REV	
		ECN	
		CHG BY	
		DATE	