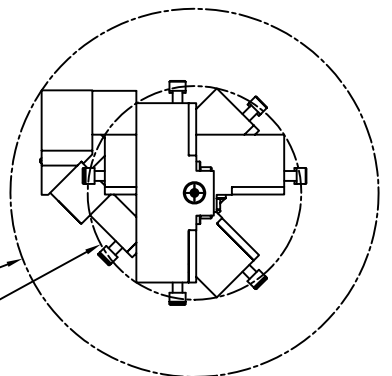
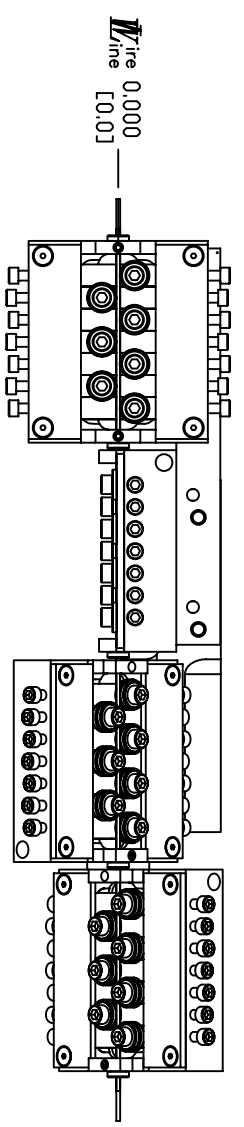
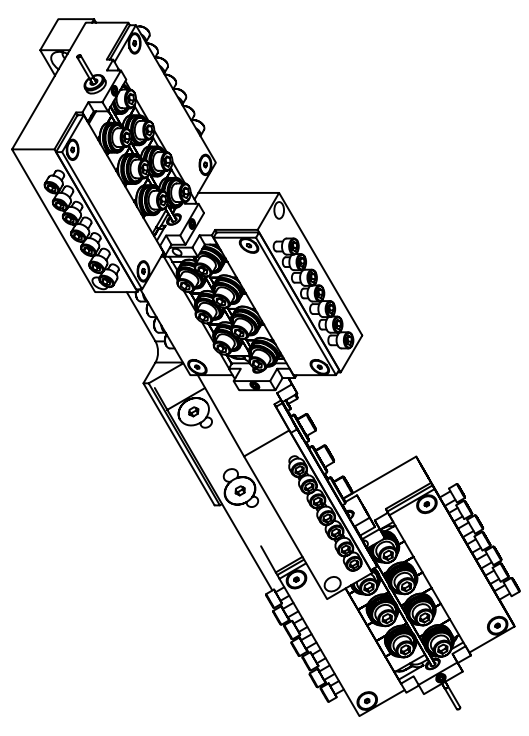
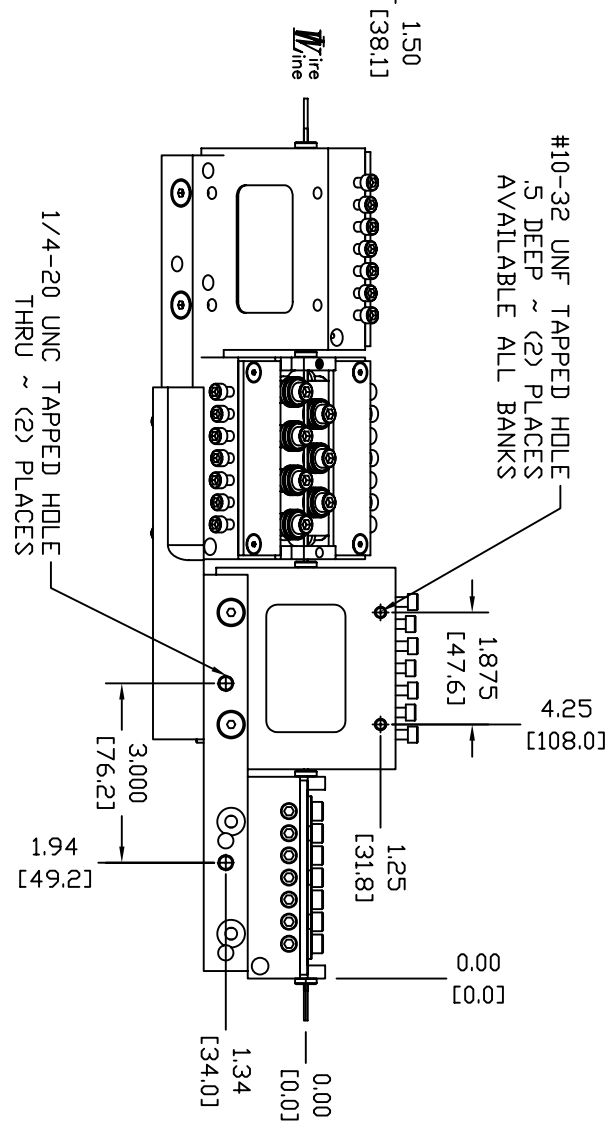
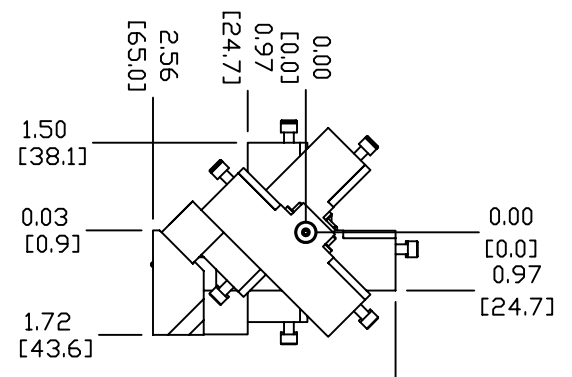
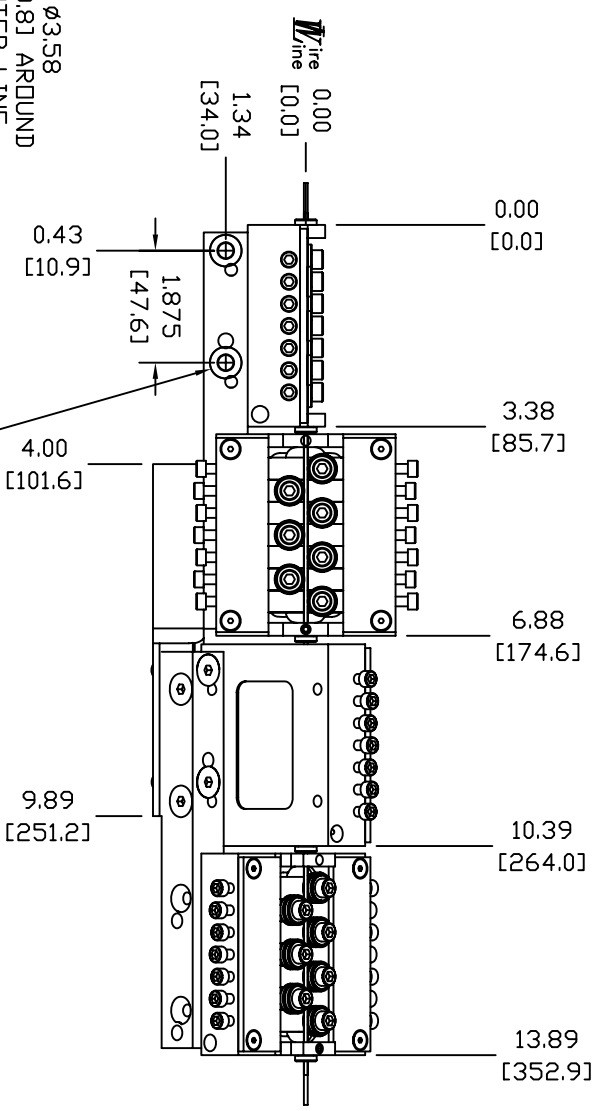


NOTE:
DIM'S IN [] ARE IN MM



Ø3.58
[Ø90.8] AROUND
CENTER LINE
Ø6.16
[Ø156.5] AROUND
CENTER LINE



#02 4-PLANE ASSY
MOUNTING LOCATION



TOLERANCE UNLESS OTHERWISE SPECIFIED	CAD	DRAWING / PART NO.
± .3"	DVN TKS	1002-004A
± .0003	CHK	PART NAME
± .0002	XXX ± .015	#02 4-PLANE ASSY
± .0005	DATE 102497	MOUNTING
± .0005		CUSTOMER

REV	ECN	CHG BY	DATE